

# Add Bling to Your Baseline



End Cap Header with Aisle Category Signs



Angled Down Aisle Box-Out Sign



## Clear Plastic Bracket Sign Systems

- Mount on end caps, continuously down aisle, or as box-out sections down aisle.
- Assist shoppers in finding products with end cap category signs.
- Unique custom die-cut graphics with 3D pop-outs add a dramatic effect to your signage.
- Clear plastic brackets mount to uprights.
- Custom signs are available in high density foam core, ultraboard, or other rigid material.

IN THE AIR

Clear Plastic Sign Systems



PATENTS PENDING

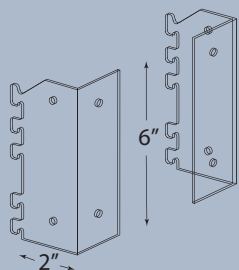
 **TMSHEA**  
PRODUCTS

1-800-992-5233  
E-mail: [hq@tmshea.com](mailto:hq@tmshea.com)

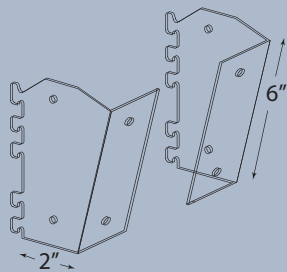
# Create Custom Visual Excitement Clear Plastic Bracket Sign Systems



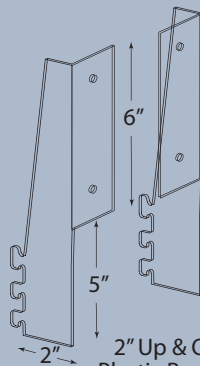
## 1. Choose Clear Plastic Brackets



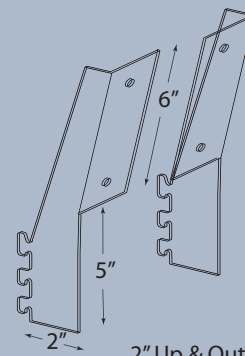
2" Plastic Brackets  
Left - OHS-CL26-L  
Right - OHS-CL26-R



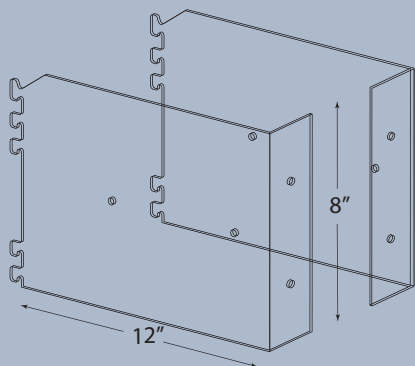
2" Angled Plastic Brackets  
Left - OHS-CLA26-L  
Right - OHS-CLA26-R



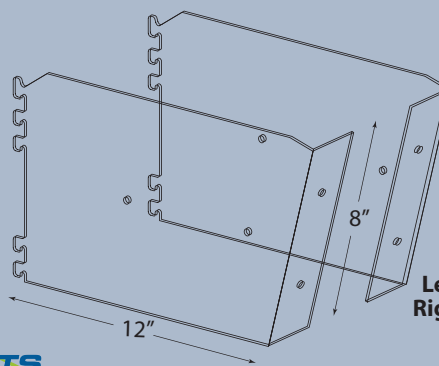
2" Up & Out  
Plastic Brackets  
Left - OHS-CLUO26-L  
Right - OHS-CLUO26-R



2" Up & Out  
Angled Plastic Brackets  
Left - OHS-CLUOA26-L  
Right - OHS-CLUOA26-R

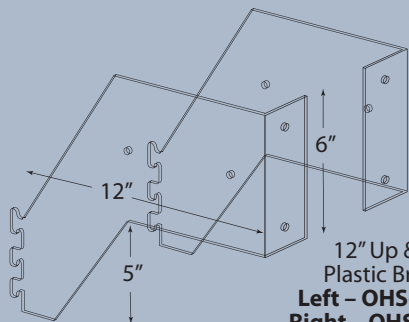


12" Plastic Brackets  
Left - OHS-CL128-L  
Right - OHS-CL128-R

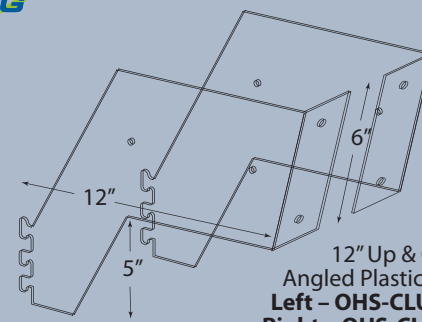


12" Angled  
Plastic Brackets  
Left - OHS-CLA128-L  
Right - OHS-CLA128-R

PATENTS  
PENDING



12" Up & Out  
Plastic Brackets  
Left - OHS-CLPET-L  
Right - OHS-CLPET-R



12" Up & Out  
Angled Plastic Brackets  
Left - OHS-CLUOA126-L  
Right - OHS-CLUOA126-R

## 2. Select Fasteners



1/2" Plastic Bolt  
& Wing Nut  
HP-PROMOFAST



3/4" Foam Tape-3"  
ADH-3X.75



1" Plastic Bolt  
& Push-on  
Wing Nut  
HP-PROMOFAST-1

## 3. Create Custom Printed Signs (call for printing specs)

