

# Draw Shoppers Down Aisle

IN THE AIR

2-Sided Blade Sign Holders



Adjustable Arm with 48" Sign Holder



Adjustable Arm with 24" Sign Holder

## 2-Sided Blade Sign Holders

- Great for brand marketing, advertising, promotional messaging, and category call-outs.
- Mounts into slotted uprights of pegged or shelved sections.
- Arm telescopes from 12" to 22" or 16" to 26".
- Signs change out quickly.
- Custom printing and kit pack-outs available.

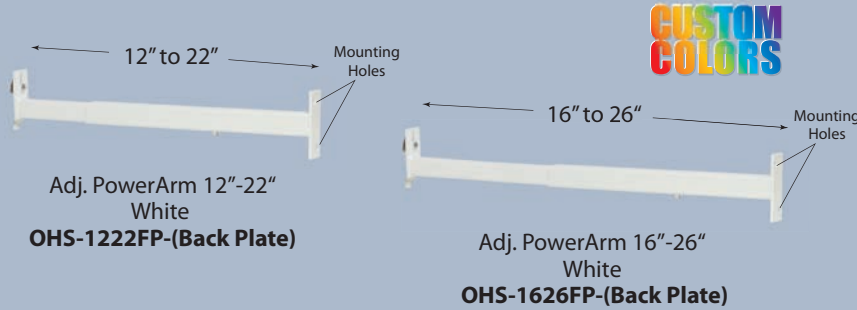


PATENTS PENDING

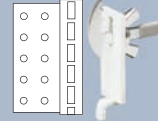
# Drive Inline Product Promotions

## 2-Sided Blade Sign Holders

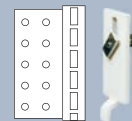
### 1. Select your PowerArm and Back Plate



Add Back Plate Code to Part Number



Tool Free  
Single Slotted  
Upright  
SS1



Single Slotted  
Upright  
SS

### 2. Choose Extrusion Size



### 3. Create Custom Printed Graphics



Blade Sign  
Printed 1 Side  
23.875" x 5.25"  
Custom



Blade Sign  
Printed 1 Side  
35.875" x 5.25"  
Custom



Blade Sign  
Printed 1 Side  
47.875" x 5.25"  
Custom

Printed  
on .020/.030  
Styrene or  
Comparable  
Material

Patents Pending. Intellectual Property of T.M. Shea Products. All rights reserved. © 2016

Warning: The material on these pages are proprietary and shall remain exclusive intellectual property of T.M. Shea Products, Inc. Under no circumstances are any P.O.P. display producers, suppliers, designers, brokers, or employees of such a trade company permitted to utilize this material in any way, shape, or form without the expressed written consent of T.M. Shea Products. Violators will be prosecuted to the fullest extent of the law.