



IDEAS FOR SPACE
IDEAS FOR SALES

www.tmshea.com
800.992.5233



Displays developed and produced by TM Shea Products. BubbleBins are Patent Pending.



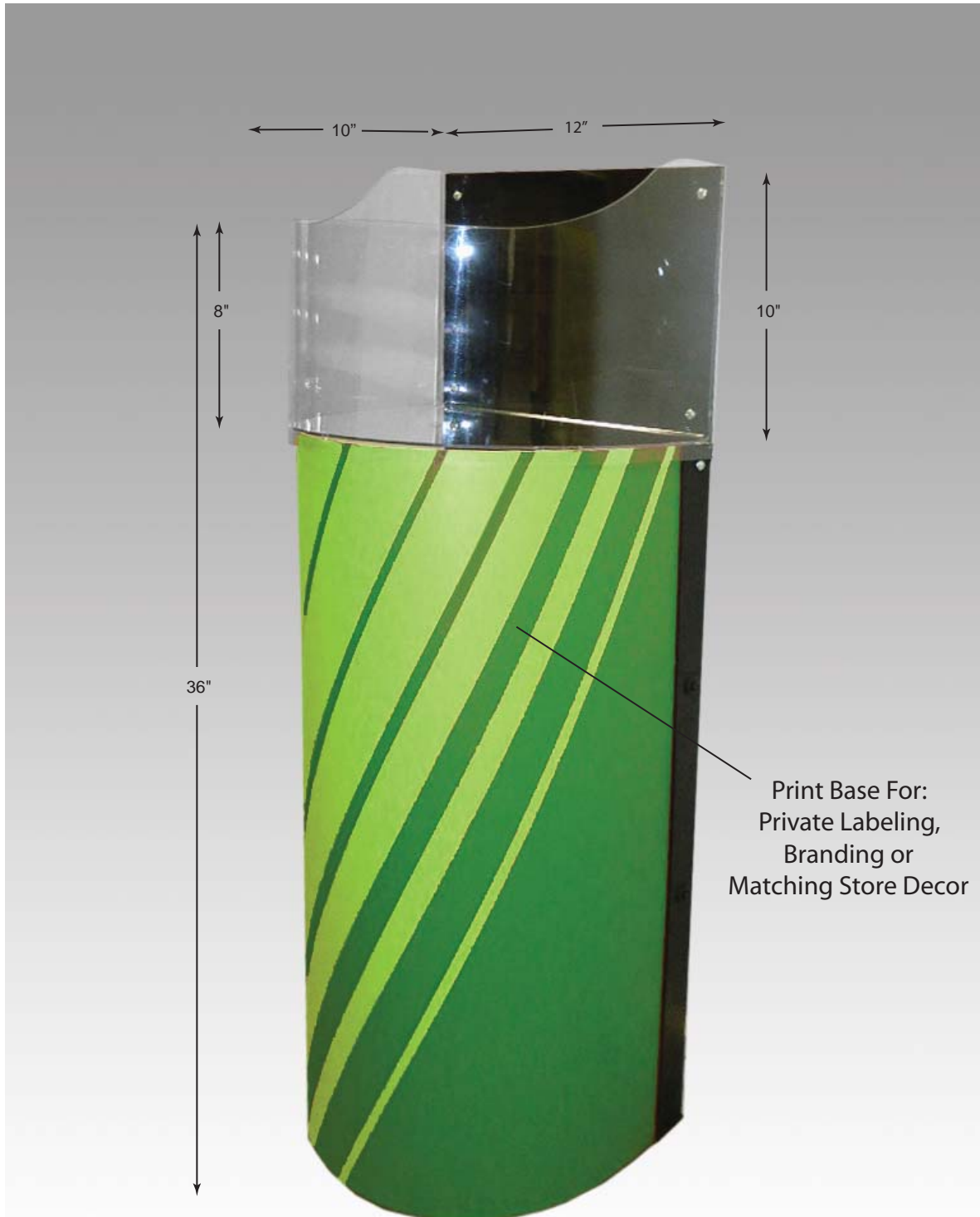
IDEAS FOR SPACE
IDEAS FOR SALES

www.tmshea.com
800.992.5233



Displays developed and produced by TM Shea Products. BubbleBins are Patent Pending.

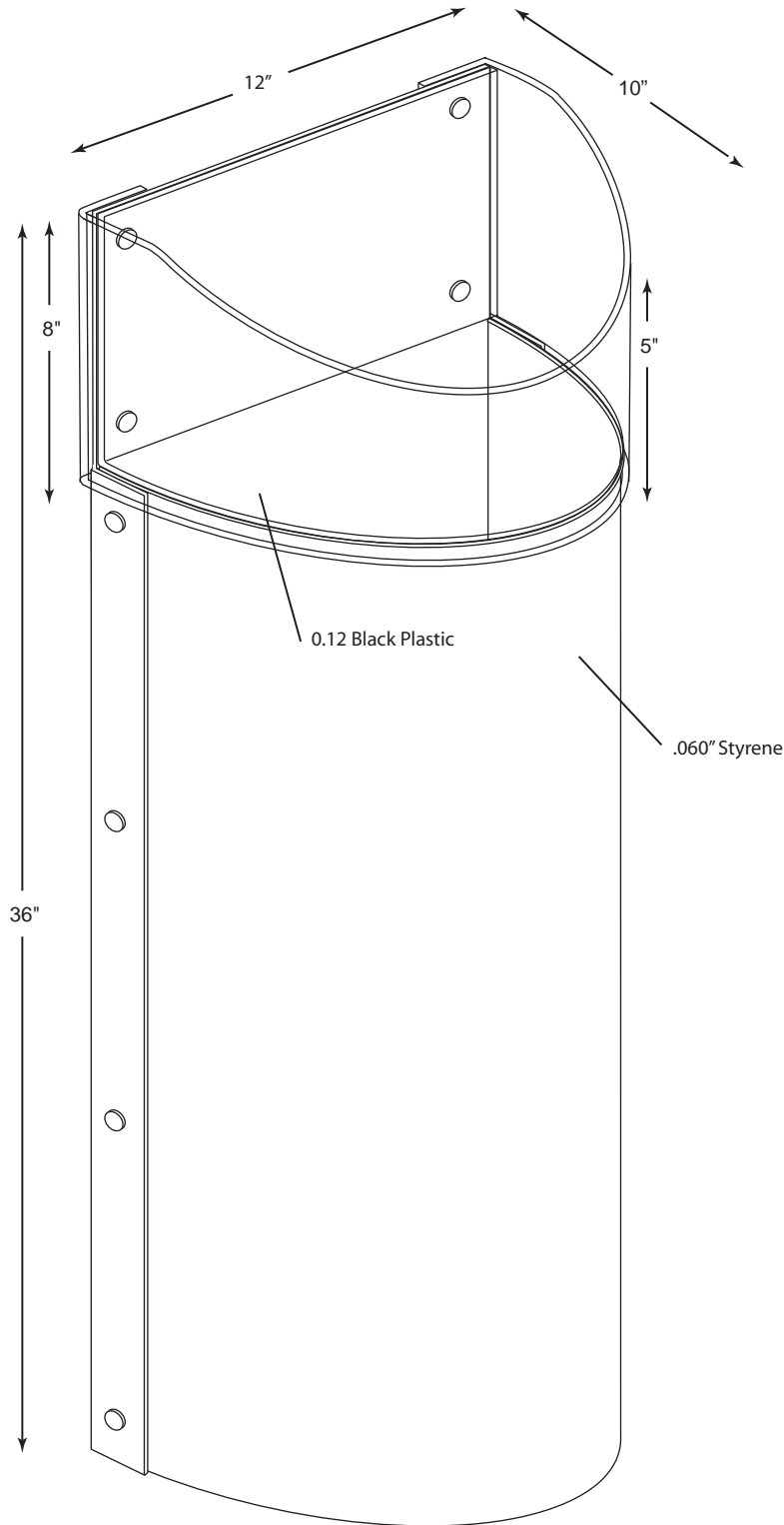
New BubbleBin Floor Display



Patents Pending. Intellectual Property of T.M. Shea Products. All rights reserved. © 2014

Warning: The material on these pages are proprietary and shall remain exclusive intellectual property of T.M. Shea Products, Inc. Under no circumstances are any P.O.P. display producers, suppliers, designers, brokers, or employees of such a trade company permitted to utilize this material in any way, shape, or form without the expressed written consent of T.M. Shea Products. Violators will be prosecuted to the fullest extent of the law.

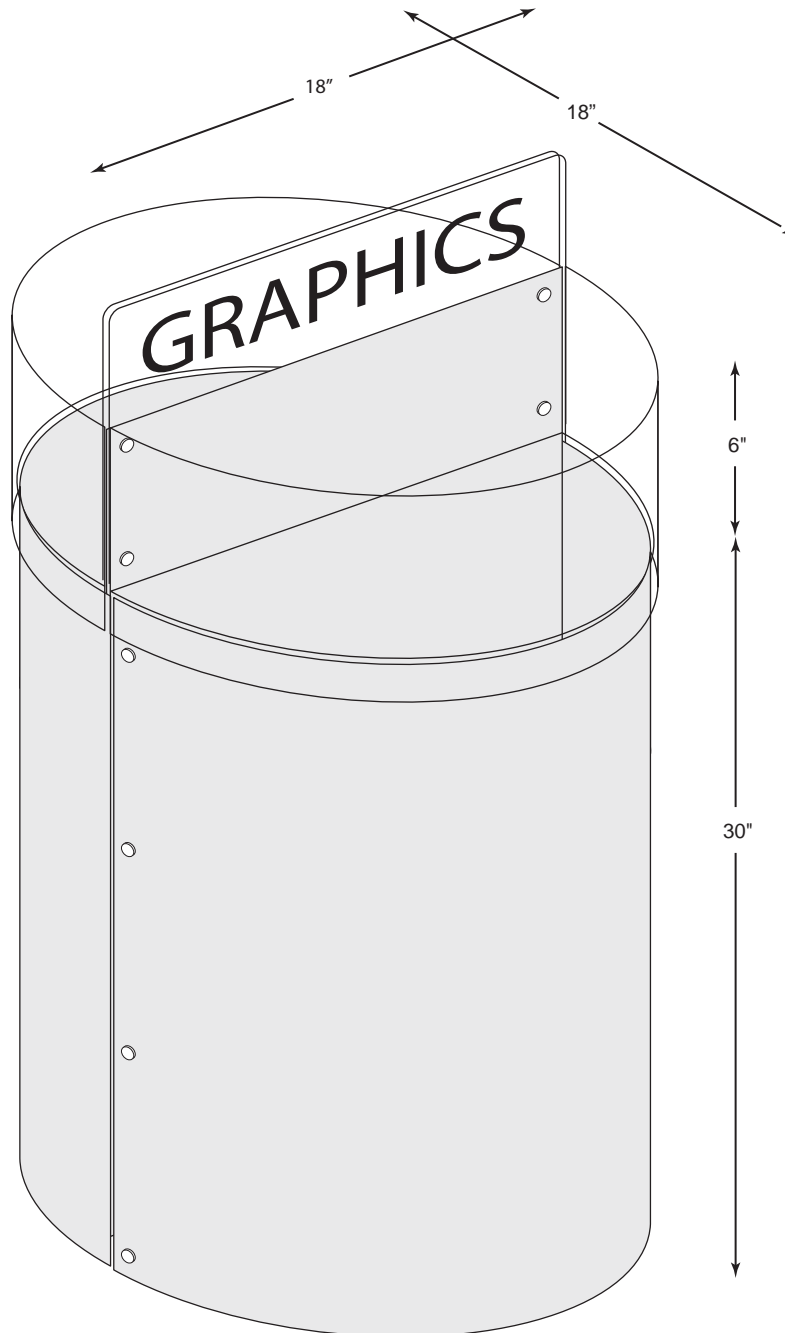
New BubbleBin Floor Display 12" x 10"



Patents Pending. Intellectual Property of T.M. Shea Products. All rights reserved. © 2014

Warning: The material on these pages are proprietary and shall remain exclusive intellectual property of T.M. Shea Products, Inc. Under no circumstances are any P.O.P. display producers, suppliers, designers, brokers, or employees of such a trade company permitted to utilize this material in any way, shape, or form without the expressed written consent of T.M. Shea Products. Violators will be prosecuted to the fullest extent of the law.

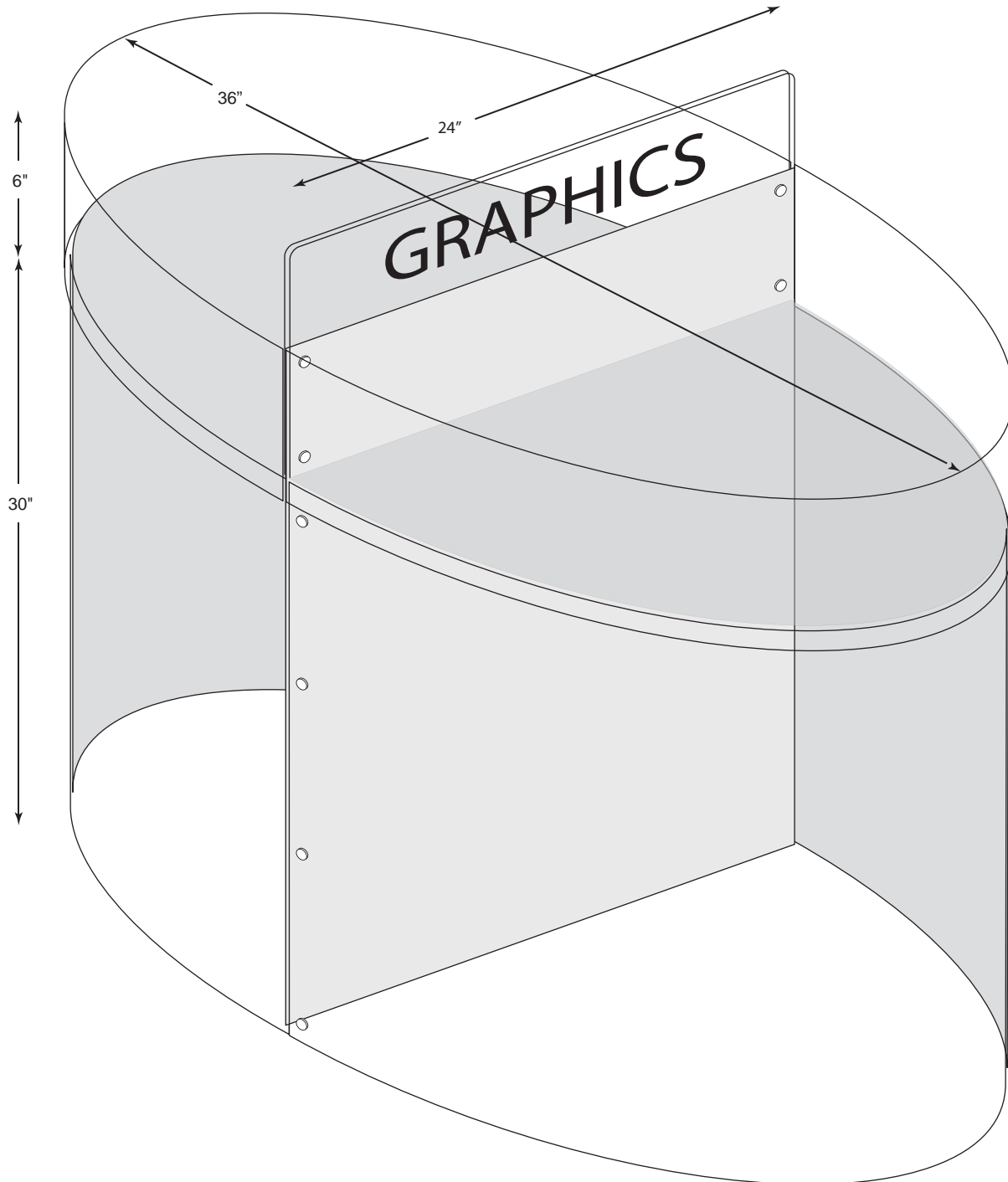
New BubbleBin Floor Display 18" x 18"



Patents Pending. Intellectual Property of T.M. Shea Products. All rights reserved. © 2014

Warning: The material on these pages are proprietary and shall remain exclusive intellectual property of T.M. Shea Products, Inc. Under no circumstances are any P.O.P. display producers, suppliers, designers, brokers, or employees of such a trade company permitted to utilize this material in any way, shape, or form without the expressed written consent of T.M. Shea Products. Violators will be prosecuted to the fullest extent of the law.

New BubbleBin Floor Display 24" x 36"



Patents Pending. Intellectual Property of T.M. Shea Products. All rights reserved. © 2014

Warning: The material on these pages are proprietary and shall remain exclusive intellectual property of T.M. Shea Products, Inc. Under no circumstances are any P.O.P. display producers, suppliers, designers, brokers, or employees of such a trade company permitted to utilize this material in any way, shape, or form without the expressed written consent of T.M. Shea Products. Violators will be prosecuted to the fullest extent of the law.

Our
Pharmacist
Recommends

StoreBr











IDEAS FOR SPACE
IDEAS FOR SALES

www.tmshea.com
800.992.5233



Displays developed and produced by TM Shea Products. BubbleBins are Patent Pending.